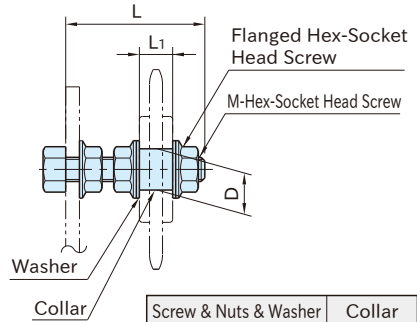


# TC-IB

# IDLER SCREWS



Screw & Nuts & Washer	Collar
Stainless steel (SUS304)	Stainless steel (SUS303)

Part Number	M	L	D	L <sub>1</sub>	Weight (g)	Proper Tighteners
<b>TC-IB08045A</b>	M 8	45	15	11	49	TC-RE10 TC-PX10
<b>TC-IB08045B</b>			12	10	43	
<b>TC-IB08045C</b>			10	8	40	
<b>TC-IB08045</b>			-	-	38	
<b>TC-IB10055A</b>	M10	55	15	11	73	TC-RE20 TC-PX20 TC-RE30 TC-PX30
<b>TC-IB10055B</b>			12	10	67	
<b>TC-IB10055</b>			-	-	64	
<b>TC-IB10070A</b>			15	11	81	
<b>TC-IB10070B</b>	M10	70	12	10	75	TC-RE30 TC-PX30
<b>TC-IB10070</b>			-	-	72	
<b>TC-IB12100A</b>			15	11	140	
<b>TC-IB12100</b>	M12	100	-	-	134	TC-RE40

Part Number	Proper Idle Sprockets
<b>TC-IB08045A</b>	SIS320, SIS320UU, SIS320-SUS
<b>TC-IB08045B</b>	SIS318
<b>TC-IB08045C</b>	SIS316
<b>TC-IB08045</b>	-
<b>TC-IB10055A</b>	SIS320, SIS320UU, SIS320-SUS, SIS417, SIS417UU, SIS417-SUS, SIS516, SIS516UU, SIS516-SUS, SIS614, SIS614UU, SIS614-SUS, BIS320
<b>TC-IB10055B</b>	SIS318, SIS415, SIS514, SIS612
<b>TC-IB10055</b>	SIS316, SIS412, SIS512, SIS610
<b>TC-IB10070A</b>	SIS320, SIS320UU, SIS320-SUS, SIS417, SIS417UU, SIS417-SUS, SIS516, SIS516UU, SIS516-SUS, SIS614, SIS614UU, SIS614-SUS, BIS320
<b>TC-IB10070B</b>	SIS318, SIS415, SIS514, SIS612
<b>TC-IB10070</b>	SIS316, SIS412, SIS512, SIS610
<b>TC-IB12100A</b>	SIS516, SIS516UU, SIS516-SUS, SIS614, SIS614UU, SIS614-SUS, SIS809
<b>TC-IB12100</b>	SIS514, SIS612