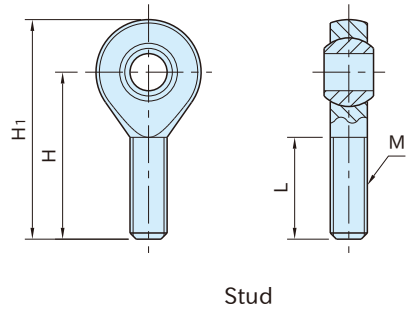
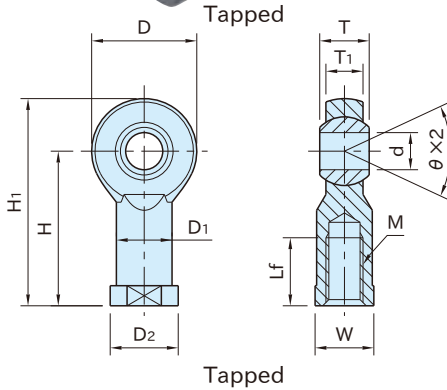


REJ

ROD ENDS



ELESA : BJT.



Body	Rod Cap
Polyamide (glass-fiber reinforced) Black	Polyamide Ivory

■ Tapped

Part Number	d	T	M	Lf	H	H ₁	D	D ₁	D ₂	T ₁	W	Min. Thread Engagement Length (mm)
REJ06-M06	6	9	M 6×1	12	30	40	20	10	13	7	11	8
REJ08-M08	8		M 8×1.25	16	36	48	24	13	16	9	14	11
REJ10-M10	10	14	M10×1.5	20	43	58	30	15	19	10.5	17	13
REJ10-M10F			M10×1.25									
REJ12-M12	12	16	M12×1.75	22	50	67	34	18	22	12	19	15
REJ12-M12F			M12×1.25									
REJ14-M14	14	19	M14×2	25	57	76	38	20	25	13.5	22	17

Part Number	Max. Allowable Screw Torque (N·m)	Max. Allowable Cap-Tightening Torque (N·m)	Max. Oscillation Angle (θ)	Weight (g)
REJ06-M06	1.5	10	29°	5
REJ08-M08	10	12		9
REJ10-M10	15	20	25°	15
REJ10-M10F	6			20
REJ12-M12	20	30		20
REJ12-M12F	15			30
REJ14-M14	25	35		31

■ Stud

Part Number	d	T	M	L	H	H ₁	D	T ₁	Min. Thread Engagement Length (mm)	Max. Allowable Screw Torque (N·m)
REJ06-M06 ×36	6	9	M 6×1	21	36	46	20	7	15	0.5
REJ08-M08 ×43	8		M 8×1.25	25	43	55	24	9	18	2
REJ10-M10 ×48	10	+0.2 +0.02	M10×1.5	28	48	63	30	10.5	20	5
REJ10-M10F×48			M10×1.25							3
REJ12-M12 ×54	12	+0.3 +0.02	M12×1.75	32	54	71	34	12	22	6
REJ12-M12F×54			M12×1.25							
REJ14-M14 ×61	14	19	M14×2	36	61	80	38	13.5	25	12

Part Number	Max. Allowable Cap-Tightening Torque (N·m)	Max. Oscillation Angle (θ)	Weight (g)	Proper Shaft (h6~h9)
REJ06-M06 ×36	10	29°	4	φ 6
REJ08-M08 ×43	12		7	φ 8
REJ10-M10 ×48	20	25°	13	φ 10
REJ10-M10F×48				
REJ12-M12 ×54	30		18	φ 12
REJ12-M12F×54				
REJ14-M14 ×61	35	26	φ 14	

Features:

- Suitable for high-speed applications
- The rod cap is made of self-lubricating plastic.
- Maintenance-free
- Highly corrosion-resistant and usable in liquids.
- Can minimize noise and dampen vibrations.

Technical Information

max.80°C min.-30°C
Working temperature: -30°C to 80°C

■ Mechanical Strength

Part Number	Max. Allowable Static Axial Load		Max. Allowable Radial Load	
	Short Term (N)	Long Term (N)	Short Term (N)	Long Term (N)
REJ06-M06	1,400	700	400	200
REJ08-M08	2,100	1,050	700	350
REJ10-M10	3,100	1,550	800	400
REJ10-M10F				
REJ12-M12	3,600	1,800	900	450
REJ12-M12F				
REJ14-M14	4,000	2,000	1,000	500
REJ06-M06 ×36	1,000	500	100	50
REJ08-M08 ×43	1,700	850	200	100
REJ10-M10 ×48	2,500	1,250	300	150
REJ10-M10F×48				
REJ12-M12 ×54	2,700	1,350	400	200
REJ12-M12F×54				
REJ14-M14 ×61	3,400	1,700	700	350

