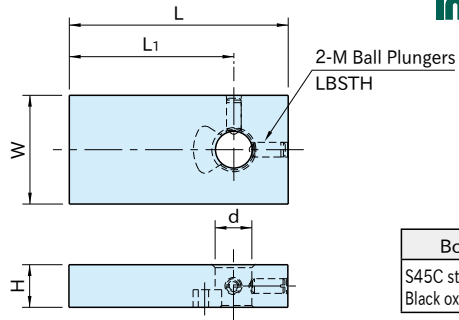


QLSW-SH

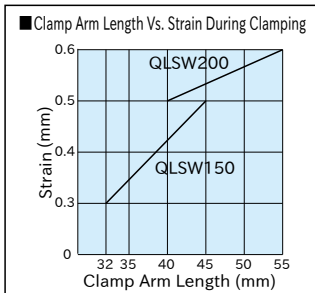
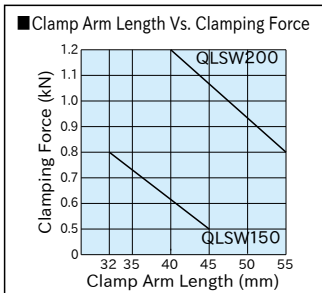
MACHINABLE CLAMP ARMS FOR SWING CLAMPS



Body
S45C steel
Black oxide finish

Part Number	L	W	H	d (F8)	L ₁	M	Allowable Weight of Clamping Tip (g) *	Weight (g)	Swing Clamps
QLSW150-SH	60	30	12	10	45	M4	100	150	QLSW150Series
QLSW200-SH	75	40	16	16	55	M5		330	QLSW200Series

*) A clamping tip to mount on the end of the clamp arm must not weigh over 100g.



Notes:

- Clamp arm length denotes L₁ dimensions below.
- Clamping force and strain during clamping denote values gained when the max. allowable load is applied to the handle.

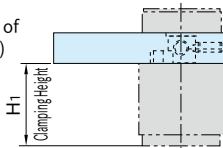
Note

Use within smaller clamping stroke when the clamp arm becomes longer than standard one.

How To Use

- Use for **QLSW** clamp arm customization
- Machine to your clamping requirements

(Clamping Height in Use of Machinable Clamp Arms)



Part Number	H ₁
QLSW150-SH	34 **)
QLSW200-SH	47 ***)

**) Actual clamping height: 33.4 to 34.6 (clamping stroke: 1.2)

**) Actual clamping height: 46.1 to 47.9 (clamping stroke: 1.8)