

QLRC

THRUST CLAMPS



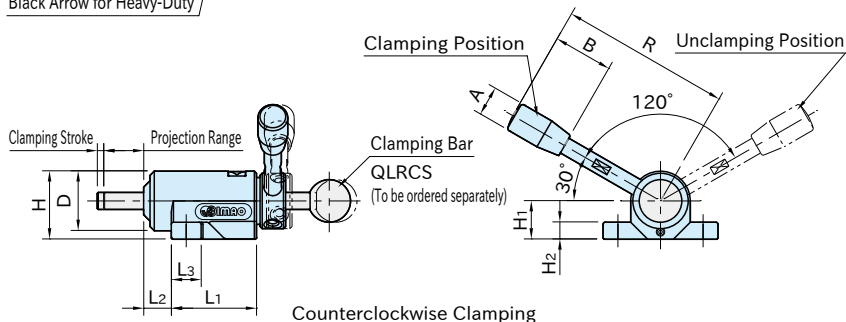
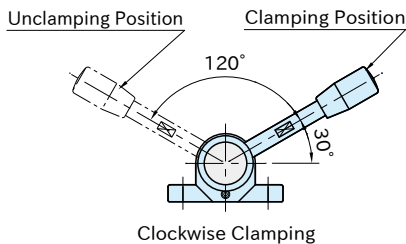
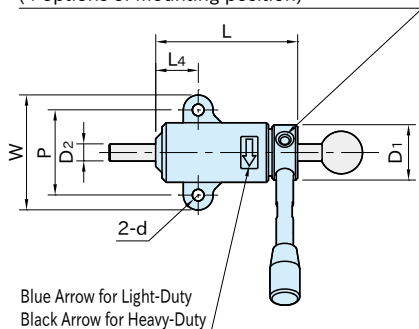
Light-Duty
(Marked with Blue Arrow)

Heavy-Duty
(Marked with Black Arrow)

Note: Clamping bar is not included.

Body/Lever Arm	Cam	Handle
S45C steel Black oxide finish	SCM415 steel Carburized-hardened Black oxide finish	Phenolic plastic Black matte

M-4 Handle-Mounting Holes (provided every 90° angle)
(4 options of mounting position)



Type	Clamping Stroke	D ₂	H ₁	L ₄	W	L ₃	H ₂	d	P	H	D	D ₁	L	L ₁	L ₂	R	B	A	M
QLRC-08	1.5	8	18	20	54	14	8	5.5	40	32	28	26	68.5	40	13	80	28	14	M5×0.8
QLRC-12	2.3	12	25	30	80	20	12	9	60	45	40	36	93.7	55	20	132	50	21	M6×1

QLRC-L (Light-Duty)

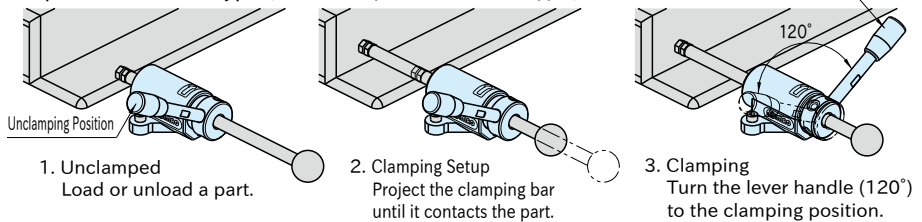
Part Number	Clamping Direction	Allowable Operating Load (N)	Clamping Force (kN)	Weight (g)	Clamping-Bar Projection Range
QLRC-08R-L	CW	40	0.2	330	QLRCS-08100 0~ 30
QLRC-08L-L	CCW				QLRCS-08125 0~ 55
QLRC-12R-L	CW	100	0.7	930	QLRCS-12125 0~ 29
QLRC-12L-L	CCW				QLRCS-12150 0~ 54
					QLRCS-12200 0~ 104

QLRC (Heavy-Duty)

Part Number	Clamping Direction	Allowable Operating Load (N)	Clamping Force (kN)	Weight (g)	Clamping-Bar Projection Range
QLRC-08R	CW	80	0.5	330	QLRCS-08100 0~ 30
QLRC-08L	CCW				QLRCS-08125 0~ 55
QLRC-12R	CW	150	1.4	910	QLRCS-12125 0~ 29
QLRC-12L	CCW				QLRCS-12150 0~ 54
					QLRCS-12200 0~ 104

How To Use

■ Operation of CW Type (Invert the operation for CCW type.)



Feature

- Spring-loaded clamp that provides constant clamping force.
 - Long clamping-bar projection range allows clamping a recessed part.
 - Clamping Bars are not included (must be ordered separately).
- (When using your own clamping bar, ensure that the diameter is finished to a h9 or better tolerance)

Note

When a reaction force (F) becomes greater than a clamping force, the clamping bar slides back to get a part unclamped.

Type	Clamp Releasing Force
QLRC-08-L	$F > 0.2\text{kN}$
QLRC-12-L	$F > 0.7\text{kN}$
QLRC-08	$F > 0.5\text{kN}$
QLRC-12	$F > 1.4\text{kN}$

