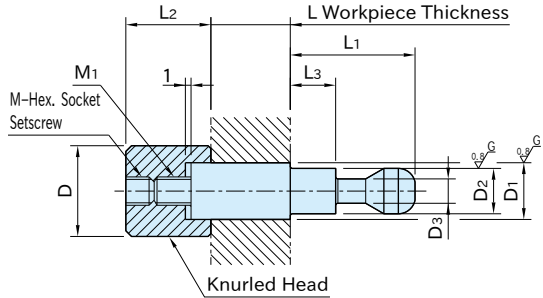


# QLPDH-X

# CLAMPING PINS (Heavy)

On Request



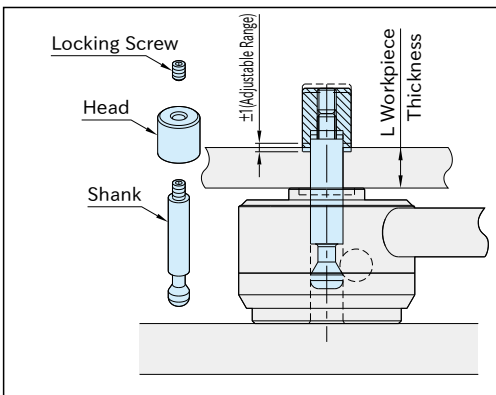
L dimension is adjustable by  $\pm 1$  mm to fit actual workpiece thickness.

Shank	Head
SCM435 steel Induction hardened (taper seat) Precision ground	S45C steel Quenched and tempered Black oxide finish

Part Number	D <sub>2</sub> (f7)	D <sub>1</sub> (f7)	L* (By 0.1mm)	D	L <sub>2</sub>	L <sub>1</sub>	L <sub>3</sub>	D <sub>3</sub>	M	M <sub>1</sub>	Weight (g)	Pull Clamps
QLPDH400-12-(L Dim. In mm)	12	12	0 < L ≤ 100	18	23	38	21.5	6.5	M 8×1.25-8L	M 8×1.25	min. 70~max.160	QLPDH400R
QLPDH400-16-(L Dim. In mm)				24							min.175~max.265	
QLPDH500-16-(L Dim. In mm)	16	16	0 < L ≤ 120	24	29	48	28	9.5	M10×1.5-10L	M10×1.5	min.160~max.350	QLPDH500R
QLPDH500-20-(L Dim. In mm)				30							min.325~max.515	

\*) For ordering, specify workpiece thickness.

## How To Use



## Ordering Example

**QLPDH400-12-20.5**

Shank Size      L Dim.

※ QLPD400-12 for 20.5mm thickness workpiece.

## Note

The length of L dimension should be decided depending on the workpiece thickness.