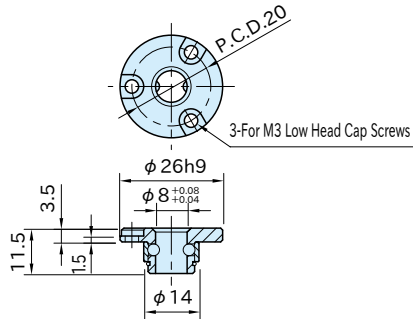


QCTHS-B

LOCKING RECEPTACLE



Body	Ball	Collar	Retaining Ring
S45C steel Electroless nickel plated	SUS440C stainless steel Quenched and tempered	SKS3 steel Electroless nickel plated Quenched and tempered	SUS304WPB stainless steel

Part Number	Weight (g)
QCTHS0834-B	19

Part Number	Proper Heavy Duty Quarter-Turn Clamps	Proper Retractable Heavy Duty Quarter-Turn Clamps	Proper Heavy Duty Shaft Coupling Clamp
QCTHS0834-B	QCTHS0825-20 QCTHS0825-20S QCTHS0834-20 QCTHS0834-20S	QCTHSA0825-20 QCTHSA0825-20S QCTHSA0834-20 QCTHSA0834-20S	QCSJS0822A

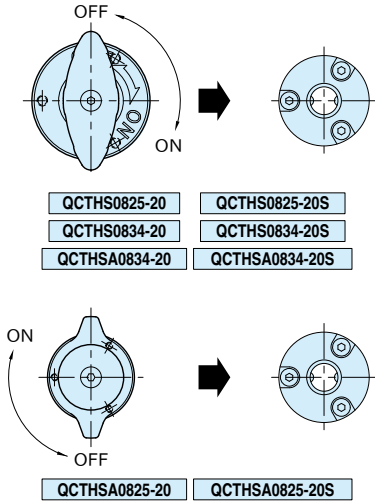
Supplied With

3 of low head cap screws(stainless steel),
M3×0.5-6L

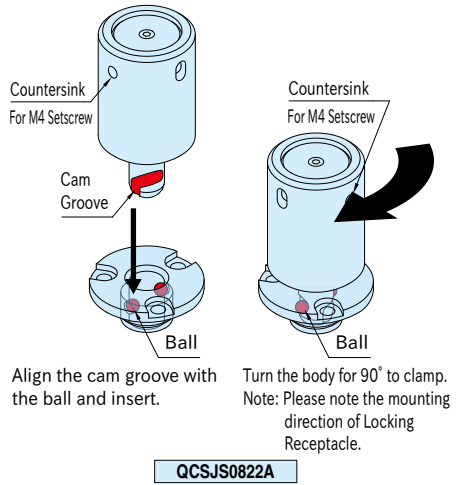
Reference

- **QCTHS** HEAVY DUTY QUARTER-TURN CLAMPS
- **QCTHS** RETRACTABLE HEAVY DUTY QUARTER-TURN CLAMPS
- **QCSJS** HEAVY DUTY SHAFT COUPLING CLAMP

Installing Position with Quarter Turn Clamps



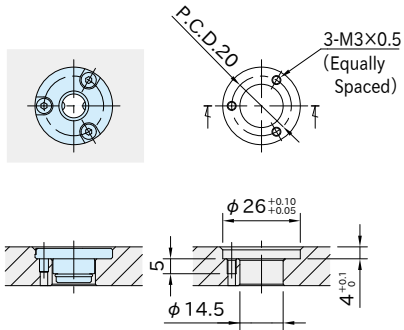
Installing Position with Shaft Coupling Clamp



Installing Position

Use with Heavy Duty Quarter-Turn Clamps

Plate thickness should be 9mm or more.



Use with Heavy Duty Shaft Coupling Clamp

Plate thickness should be 9mm or more.

