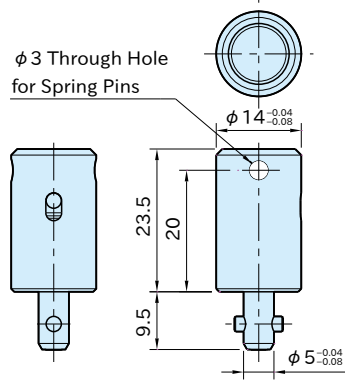


# QCSJ

# SHAFT COUPLING CLAMP



Heat resistance: 180°C



### ★ Key Point

Multipurpose coupling element

Part Number	Clamping Force(N)	Weight(g)
<b>QCSJ0514A</b>	90	25

### Note

Spring pins are not supplied.

Body/Shank	Pin	Spring
S45C steel Electroless nickel plated	SUS304 stainless steel	Equivalent to SWOSC-V steel

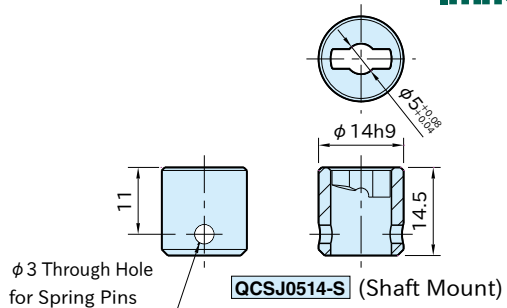
# QCSJ-S / QCSJ-B CAM RECEPTACLES



**QCSJ0514-S**  
(Shaft Mount)



**QCSJ0514-B**  
(Plate Mount)



Body
SCM440 steel Quenched and tempered Electroless nickel plated

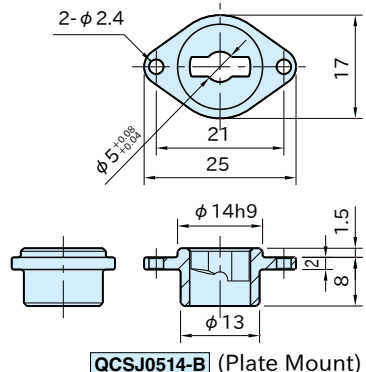
Part Number	Weight(g)
<b>QCSJ0514-S</b>	10
<b>QCSJ0514-B</b>	8

### Supplied With

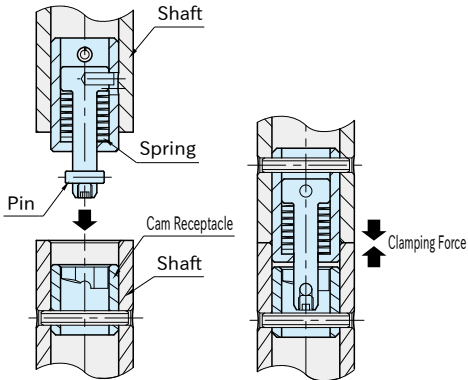
**QCSJ0514-B**: 2 of socket-head cap screws (stainless steel), M2X0.4-5L

### Note

Spring pins to mount **QCSJ0514-S** are not supplied.

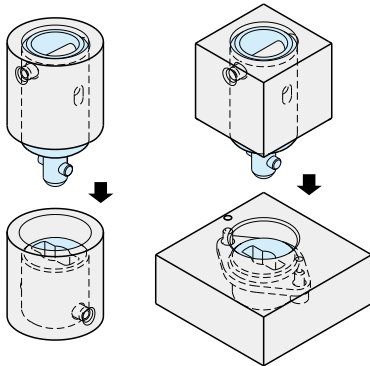


## Feature



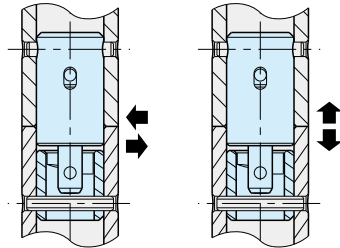
When the pin contacts along the cam surface in Cam Receptacle, the spring gets compressed to clamp the shafts.

## How To Use



## Technical Information

- Heatresistant Temperature 180°C
- Mechanical Strength

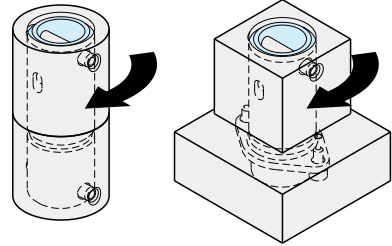


Shear and tensile strength is allowable load and the fastener could break when it receives bigger load.

When the fastener receives tensile load that is bigger than its clamping force, there is a gap between the parts.

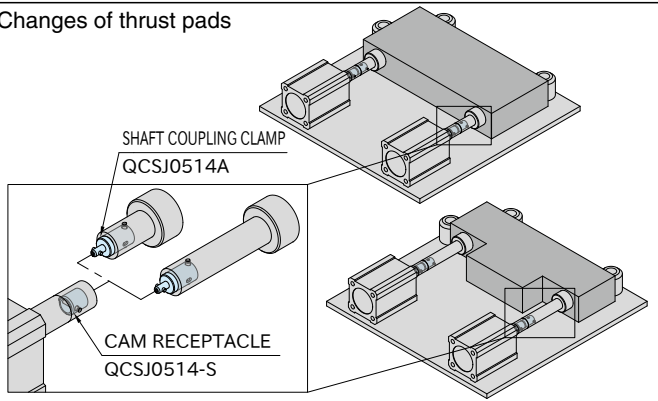
Click!

Click!



## Application Example

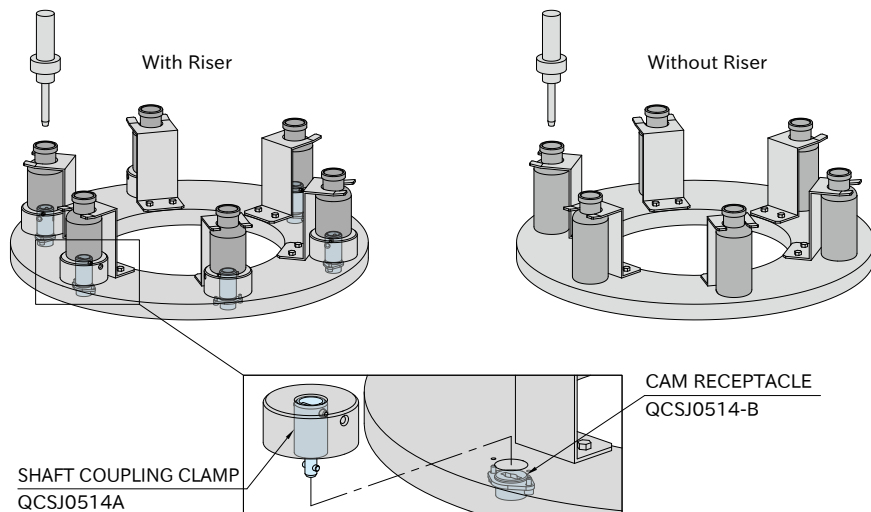
### Changes of thrust pads



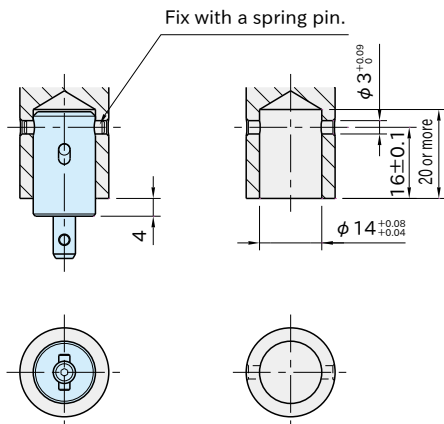
Continuing on  
Next Page

## Application Example

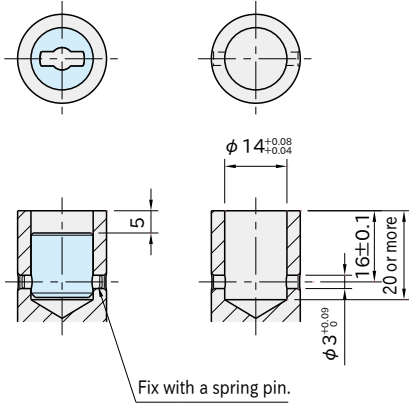
### Changes of riser



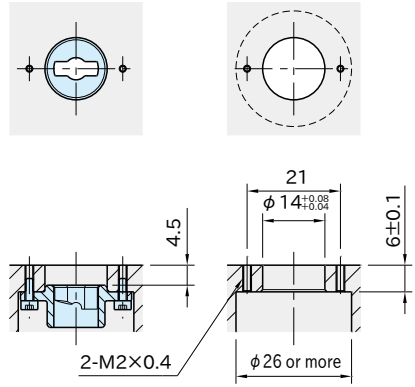
## How To Install Shaft Coupling Clamp



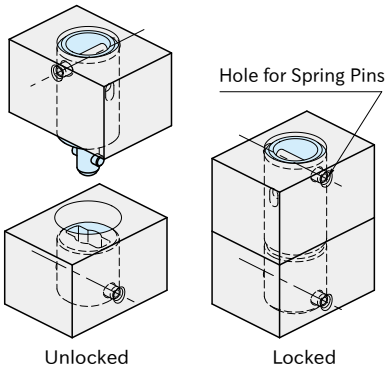
### How To Install Cam Receptacle(Shaft Mount)



### How To Install Cam Receptacle(Plate Mount)



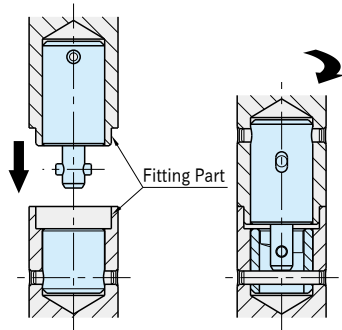
### Note



Pay attention to the direction of holes for spring pins.

### Repeatability

Repeatability  $\pm 0.08$



Prepare male and female fittings for higher accurate locating.