

# QCOW / QCOWS SNAP-IN CLAMPS



Stainless Steel

Heat resistance: 180°C

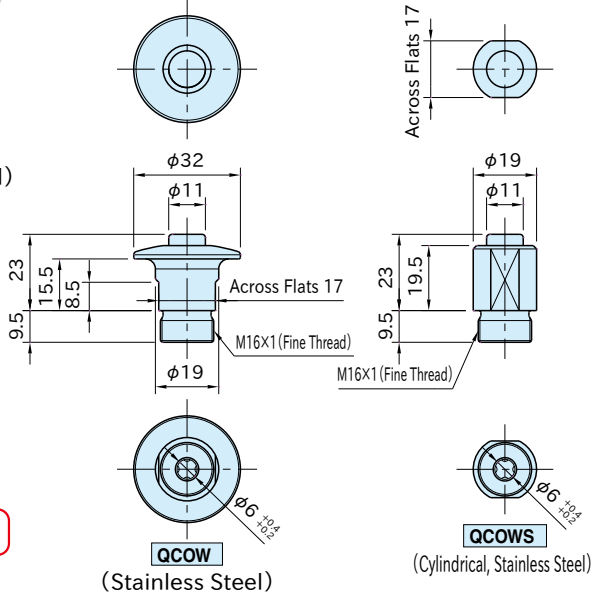


**QCOW**  
(Stainless Steel)



**QCOWS**  
(Cylindrical, Stainless Steel)

Body/Button	Ball	Spring	O-Ring
SUS303 stainless steel	SUS440C stainless steel Quenched and tempered	SUS304WPB stainless steel	FKM Fluororubber



★ **Key Point** —  
Quick & easy snap-in operation

Part Number	Proper Plate Thickness	Clamping Force (N)	Weight (g)	Proper Clamping Pin
<b>QCOW 0616-10SUS</b>	3~10	6	65	QCPC0625-M4-SUS
<b>QCOWS0616-10SUS</b>	3~27		50	

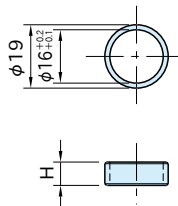
## QCOW

## SPACERS



Stainless Steel

Heat resistance: 180°C



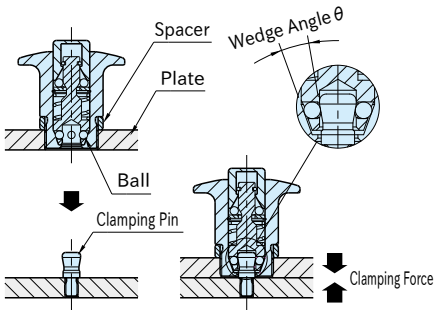
Spacer
SUS303 stainless steel

Part Number	Proper Plate Thickness	H (±0.05)	Weight (g)	Proper Snap-In Clamps
<b>QCOW0616-04-SUS</b>	6	4	2.5	QCOW0616-10SUS QCOWS0616-10SUS
<b>QCOW0616-05-SUS</b>	5	5	3	
<b>QCOW0616-06-SUS</b>	4	6	3.5	
<b>QCOW0616-07-SUS</b>	3	7	4	

### QCPC-M CLAMPING PINS



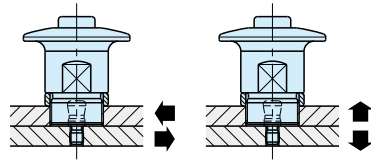
## Feature



Four balls hold the Clamping Pin to pull the plate for clamping.

## Technical Information

- Heatresistant Temperature 180°C
- Mechanical Strength



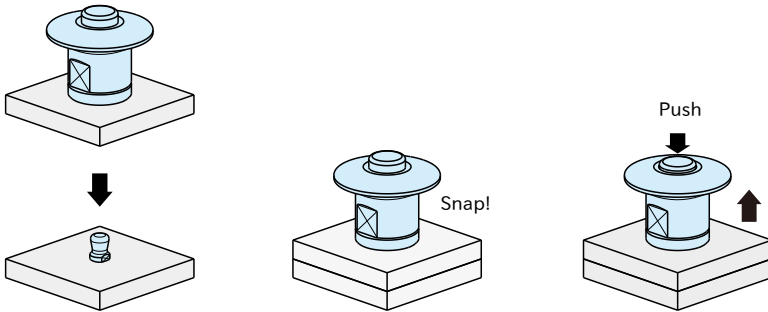
Shear Strength 1100N

Tensile Strength 250N

Shear and tensile strength is allowable load and the fastener could break when it receives bigger load.

The ball locking mechanism holds the two plates until the fastener receives bigger tensile load.

## How To Use

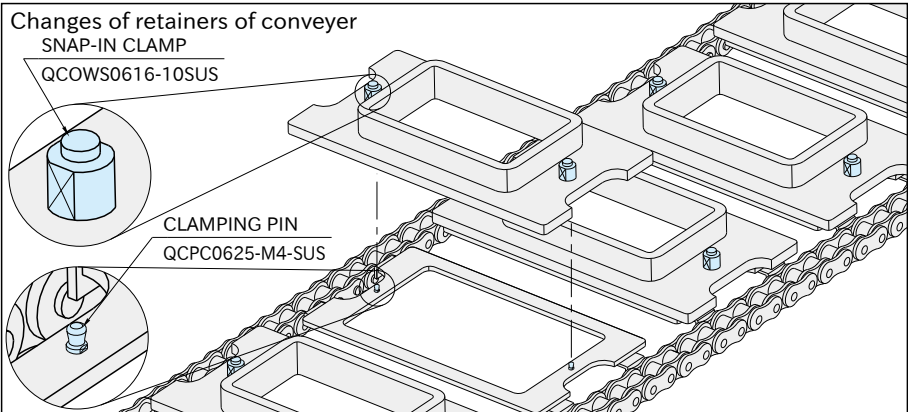


1. Put Snap-In Clamp over the Clamping Pin. No need to push the button.

2. Clamped instantly as the pin is inserted.

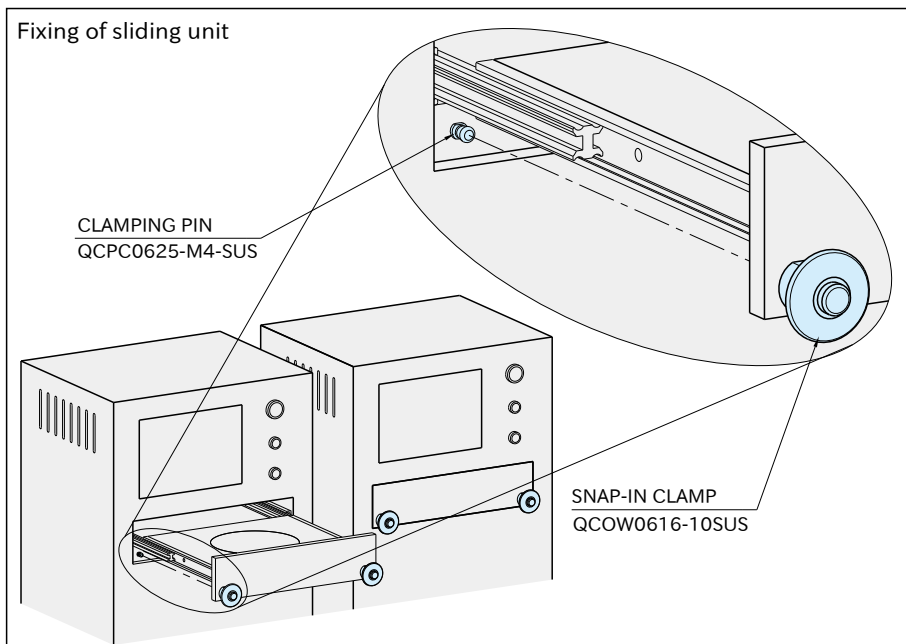
3. For unclamping, push the button and pull the clamp.

## Application Example



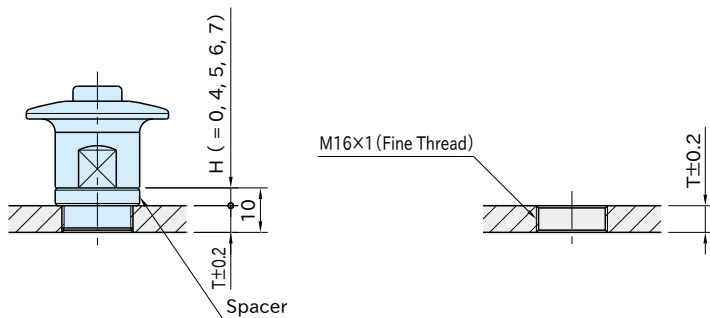
## Application Example

### Fixing of sliding unit

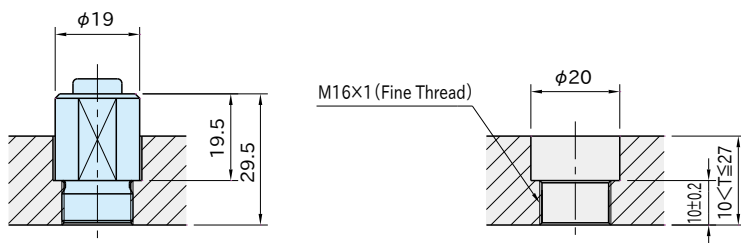


## How To Install

### For 3 to 10mm-thick plate

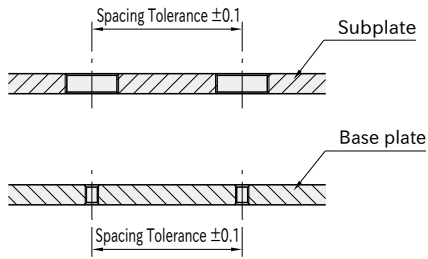


### For over 10mm-thick plate



## Accuracy

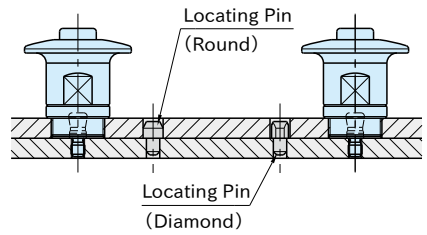
### ■ Machining Accuracy



Spacing tolerance on both the subplate and the base plate should be  $\pm 0.1$ .

### ■ Repeatability

Repeatability  $\pm 0.25$



For higher accurate locating, use locating pins.