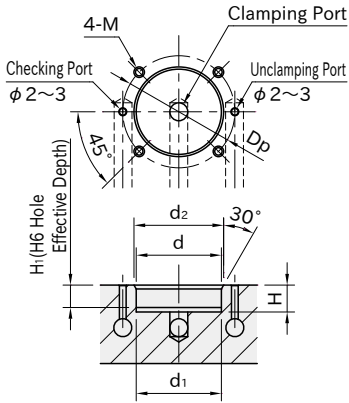


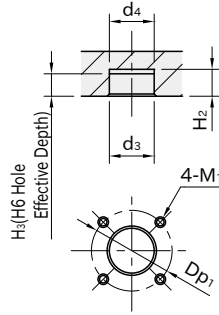
# How To Install PNEUMATIC FLEX LOCATORS

## ■ Mounting Hole Dimensions for Locators



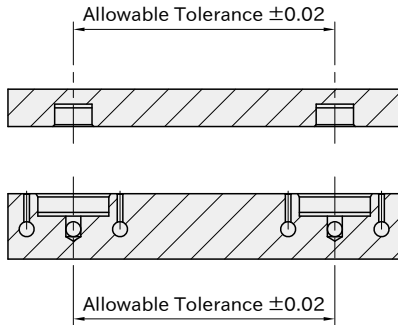
Size	d (H6)	H <sub>1</sub>	d <sub>1</sub> ( <sup>-0.1</sup> / <sub>-0.3</sub> )	H	d <sub>2</sub>	M	Dp
AMWF40-W	48	12	48	16	50	M5×0.8	60
AMWF50-W	58	16	58	20	60	M6×1	72

## ■ Mounting Hole Dimensions for Locating Receivers



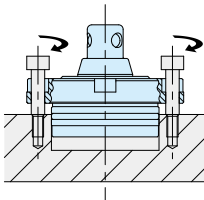
Size	d <sub>3</sub> (H6)	H <sub>3</sub>	d <sub>4</sub> ( <sup>-0.1</sup> / <sub>-0.3</sub> )	H <sub>2</sub>	M <sub>1</sub>	Dp <sub>1</sub>
AMWF40-BU	28	12	28	16	M5×0.8	50
AMWF50-BU	36	16	36	20	M6×1	62

## ■ Spacing Tolerance



## ■ How to Remove Locators

For easier removal, insert screws into the tapped holes and screw them.



## ■ How to Remove Locating Receivers

For easier removal, insert screws into the tapped holes and screw them.

