

PIDHC

PNEUMATIC ID HOLDING CLAMP



Stainless Steel

IMAO



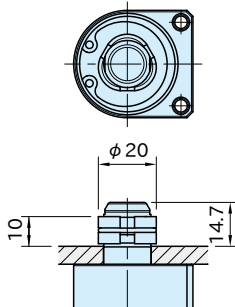
(Double Acting)

★Key Point

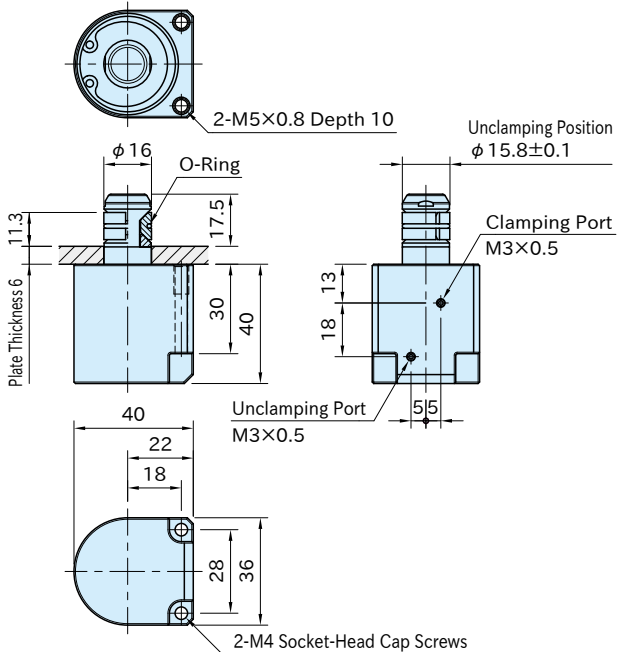
Holds the internal diameter

Body	Jaw/Washer	Piston	
SCS13 stainless steel (Equivalent to SUS304)	SUS630 stainless steel Precipitation hardened	SUS303 stainless steel	
Pulling Shaft	Spring	Retaining Ring	Seal
SUS420J2 stainless steel Electroless nickel plated Quenched and tempered	SUS304WPB stainless steel	SUS304 stainless steel	Nitrile rubber (NBR)

Clamping Dia. ϕ 20



Clamping Dia. ϕ 16



2-M4 Socket-Head Cap Screws

Part Number	Recommended Clamping Dia.*)	Operating Air Pressure (MPa)	Holding Force (N) **)	Weight (g)	O-Ring Size for Replacement
PIDHC20-SUS	ϕ 16~ ϕ 20	0.3~0.7	77	336	S12 (CS 1.5/ID 11.5)

*) Maximum Clamping Dia. is ϕ 22.

**) The holding force above is with 0.5 MPa air pressure and SUS304 (surface roughness Ra1.6) workpiece.

Supplied With

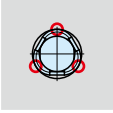
2 of socket-head cap screws(stainless steel), M4×0.7-35L

Note

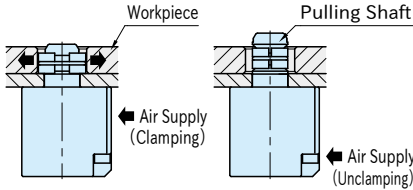
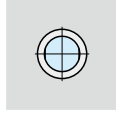
- Color difference by the hardening treatment does not affect function or quality of the product.
- Use clean air by removing moisture and debris with an air dryer and air filter.
- Impurities in the compressed air can cause malfunction.

Feature

Clamping

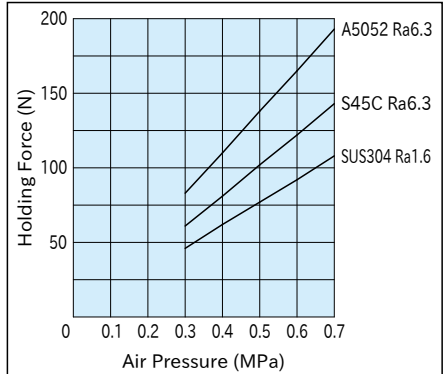


Unclamping



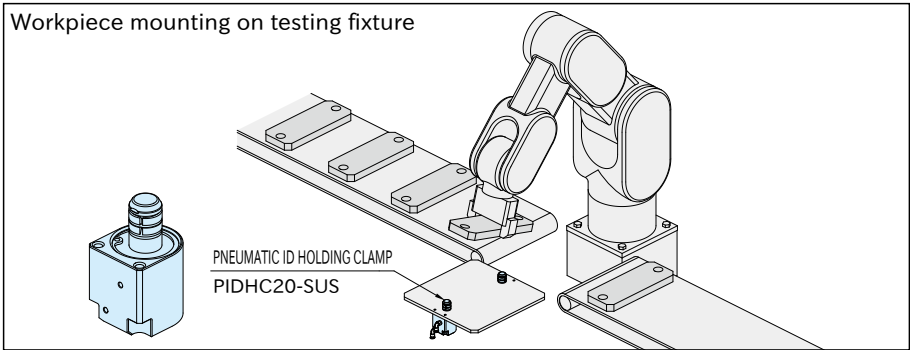
- The pulling shaft goes down by air supply from clamping port and the jaws expand to hold the workpiece.
- The clamp makes a line contact with the workpiece at 3 places.

Performance Curve



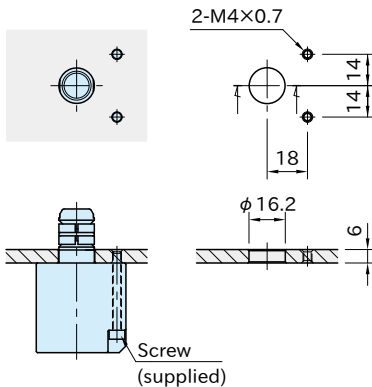
Application Example

Workpiece mounting on testing fixture

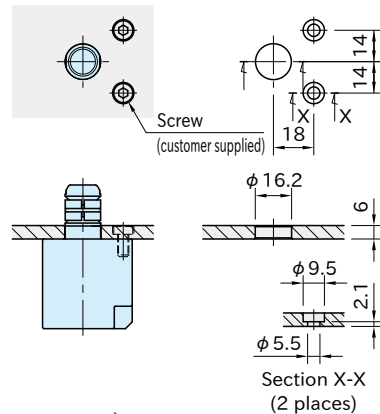


Hole Preparation

With M4 Socket-Head Cap Screws (supplied)



With M5 Low-Head Cap Screws (customer supplied)
(Dimension: head dia. 8.5, head height 3.5)



Repeatability

Estimated repeatability is ± 0.2 (clamping dia. $\phi 20$, without any load)