

NBLP-SUS

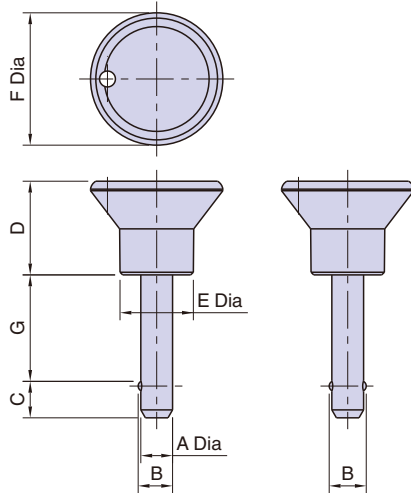
BALL LOCK PINS



[Shank]
Material : SUS303 stainless steel

[Handle]
Material : Polyamide plastic

[Ball]
Material : SUS420 stainless steel



NBLP-SUS 060,080

NBLP-SUS 100,120

| Part Number | A (-0.04) | B | C | D | E | F | G ($+0.06$) | Recommended Hole Dia. (H11) | Min. Double Shear Strength (N) | Weight (g) |
|---------------|------------------|------|----|------|----|----|------------------|-----------------------------|--------------------------------|------------|
| NBLP06020-SUS | 6 | 6.5 | 7 | 17.7 | 14 | 25 | 20 | 6 | 22,000 | 13 |
| NBLP06025-SUS | | | | | | | 25 | | | 14 |
| NBLP06030-SUS | | | | | | | 30 | | | 15 |
| NBLP06040-SUS | | | | | | | 40 | | | 17 |
| NBLP06050-SUS | | | | | | | 50 | | | 19 |
| NBLP08020-SUS | 8 | 8.75 | 8 | 17.7 | 14 | 25 | 20 | 8 | 38,000 | 18 |
| NBLP08025-SUS | | | | | | | 25 | | | 20 |
| NBLP08030-SUS | | | | | | | 30 | | | 21 |
| NBLP08040-SUS | | | | | | | 40 | | | 25 |
| NBLP08050-SUS | | | | | | | 50 | | | 29 |
| NBLP10025-SUS | 10 | 12 | 9 | 24 | 19 | 33 | 25 | 10 | 60,000 | 35 |
| NBLP10030-SUS | | | | | | | 30 | | | 38 |
| NBLP10040-SUS | | | | | | | 40 | | | 44 |
| NBLP10050-SUS | | | | | | | 50 | | | 50 |
| NBLP12030-SUS | 12 | 14.5 | 10 | 24 | 19 | 33 | 30 | 12 | 86,000 | 49 |
| NBLP12040-SUS | | | | | | | 40 | | | 58 |
| NBLP12050-SUS | | | | | | | 50 | | | 67 |

Feature:

Precision alignment pin that allows speedily locking and unlocking workpieces in jigs or fixtures.

Related Product Page

- **BLP-C** CABLES FOR BALL LOCK PINS
- **BLP-R** RINGS FOR BALL LOCK PINS