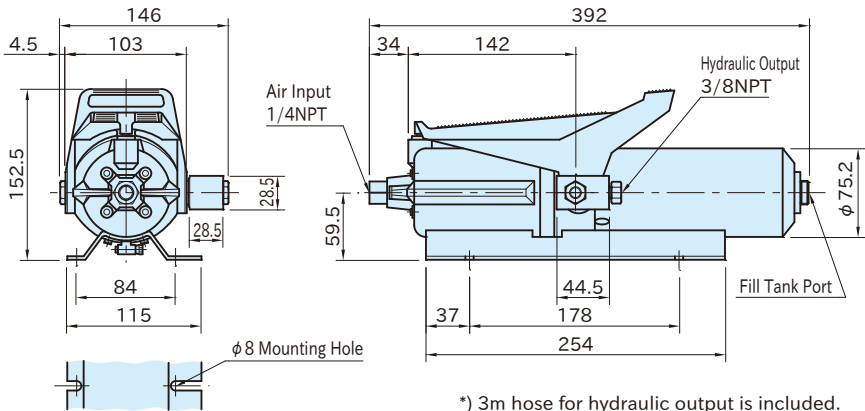


# MVAC150HU

# AIR HYDRAULIC FOOT PUMP

On Request



\*) 3m hose for hydraulic output is included.

Part Number	Air Pressure Range (MPa)	Air Consumption (L/min)	Reservoir Capacity (L)	Output Flow Rate (L/min)	Pressure Rating (MPa)	Valve Function	Weight (kg)
MVAC150HU	0.42~0.7	250	0.6	1 (*)	35	Advance/Retract	5.2

\*) At OMPa oil pressure

## Features:

- Compact and lightweight air hydraulic foot pump. Treadle operation activates the pump.
- Minimum consumption of air provides low-cost operation.
- Sound level is 80 dBa.
- Swivel coupling simplifies hydraulic connection and pump operation.
- Three-position treadle provides cylinder advance, hold or retract operation.
- Can be mounted horizontally and vertically.

## Note:

These blocks are non-stock items.

