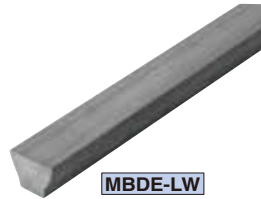


MBDE-LB, MBDE-LW

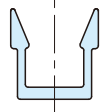
LONG LENGTH DOUBLE EDGE CLAMPS



MBDE-LB
(Jaw)



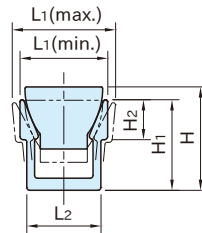
MBDE-LW
(Wedge)



MBDE-LB
(Jaw)



MBDE-LW
(Wedge)



Assembled clamp

Type	Jaw	Wedge
MBDE-LB	A7075	-
MBDE-LW	-	SUM24L

MBDE-LB (Jaw)

Part Number	L ₁		H ₂	H ₁	L ₂	H	Length	Clamping Force (N)	Allowable Screw Torque (N·m)	Weight (g)
	min.	max.								
MBDE02LB	6.1	6.7	3.6	6.4	5.3	6.9	508	800	0.7	26
MBDE025LB	9.1	10	4.7	9.5	7.9	9.7		1,300	1.5	50
MBDE04LB	12.3	13.2	5.6	12.7	10.4	14.5		2,200	3.4	76
MBDE06LB	18.6	20.3	9.5	19.1	16.1	19		6,600	13.5	167
MBDE08LB	24.8	26.9	12.7	25.4	20.8	25.9		11,000	25	283
MBDE12LB	37.3	39.9	19	38.1	30.8	38.6		15,000	38.4	612
MBDE16LB	49.7	53	25.4	50.8	41.2	51.5		26,000	74.6	1,072

MBDE-LW (Wedge)

Part Number	Length	Weight (g)	Proper Jaw
MBDE02LW	508	72	MBDE02LB
MBDE025LW		158	MBDE025LB
MBDE04LW		307	MBDE04LB
MBDE06LW		598	MBDE06LB
MBDE08LW		1,058	MBDE08LB
MBDE12LW		2,375	MBDE12LB
MBDE16LW		4,250	MBDE16LB

■ Recommended size of hex socket-head cap screws

品番		Recommended Size
MBDE02LB	MBDE02LW	M 2 ×0.4
MBDE025LB	MBDE025LW	M 2.5×0.45
MBDE04LB	MBDE04LW	M 4 ×0.7
MBDE06LB	MBDE06LW	M 6 ×1
MBDE08LB	MBDE08LW	M 8 ×1.25
MBDE12LB	MBDE12LW	M12 ×1.75
MBDE16LB	MBDE16LW	M16 ×2

Features:

- Simple and compact design permits multiple-parts holding arrangement.
- Can hold two parts with equilateral clamping action by using a hex wrench.

Notes:

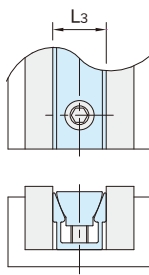
- Do not tighten the clamp screw without the workpiece set to prevent damage and deformation.
- Hex socket-head cap screws are to be supplied by our customers.

How To Use

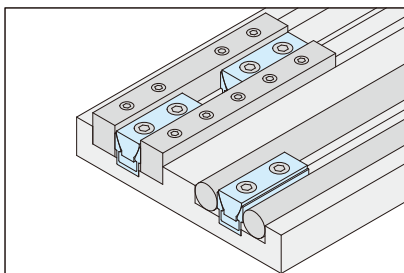
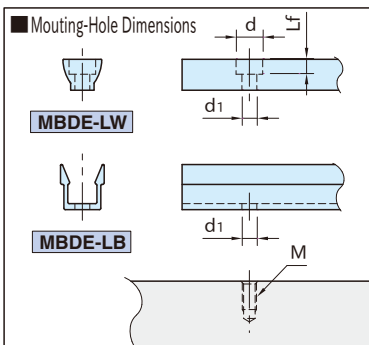
- Cut the jaw and wedge to suit your workpieces.
- This product is intended for use in sets with [MBDE-LB](#) and [MBDE-LW](#).
- Drill and tap mounting holes for hex socket-head cap screws as directed below. (only when the recommended size of hex socket-head cap screws are used)

Technical Information

Recommended distance between workpieces



Part Number		L ₃
MBDE02LB	MBDE02LW	6.4
MBDE025LB	MBDE025LW	9.5
MBDE04LB	MBDE04LW	12.7
MBDE06LB	MBDE06LW	19
MBDE08LB	MBDE08LW	25.4
MBDE12LB	MBDE12LW	38.1
MBDE16LB	MBDE16LW	50.8



Part Number		d	Lf	d ₁	M
MBDE02LB	MBDE02LW	4.1	2	2.4	M 2 ×0.4
MBDE025LB	MBDE025LW	4.8	2.5	2.8	M 2.5×0.45
MBDE04LB	MBDE04LW	7.5	4	4.5	M 4 ×0.7
MBDE06LB	MBDE06LW	10.5	6	6.6	M 6 ×1
MBDE08LB	MBDE08LW	14	8	8.5	M 8 ×1.25
MBDE12LB	MBDE12LW	20	12	13.5	M12 ×1.75
MBDE16LB	MBDE16LW	25	16	16.5	M16 ×2

<Installation Instructions>

See the above Technical Information "Recommended distance between workpieces".
Drill and tap mounting holes on the center of "L₃" dimension