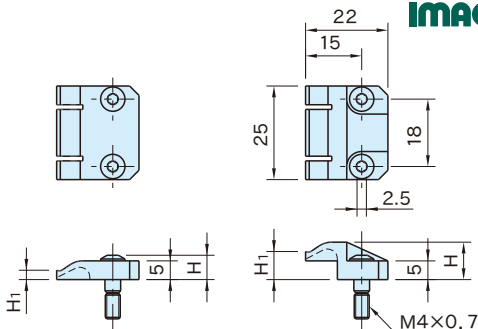


KPHS

HOLD DOWN STOPS (DOUBLE STOPS)



KPHS25110

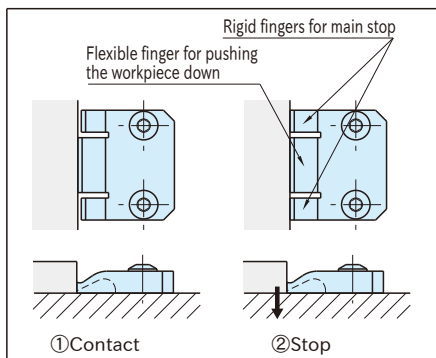
KPHS25120

Body	Mounting Screw
Spring Steel	SNCM625

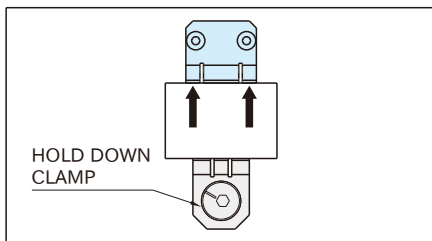
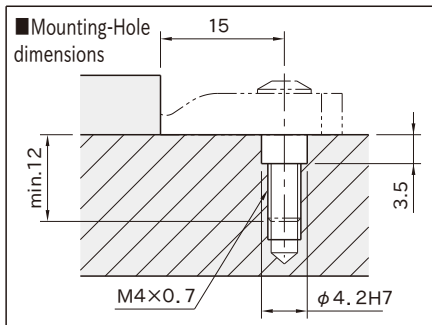
Part Number	H ₁	H	Weight (g)
KPHS25110	2.5	6.5	20
KPHS25120	7.5	10	24

Feature:

- Simple and compact body is perfect for clamping a thin workpiece.
- Two clamping heights are available.
- The tip of the clamp is composed of three clamping fingers; two rigid fingers and one flexible finger. The one flexible finger pushes a workpiece down and the two rigid fingers stop a workpiece.



How To Use



Use Hold Down Stop (Double Stops) for clamping in one place.