

CP170-N

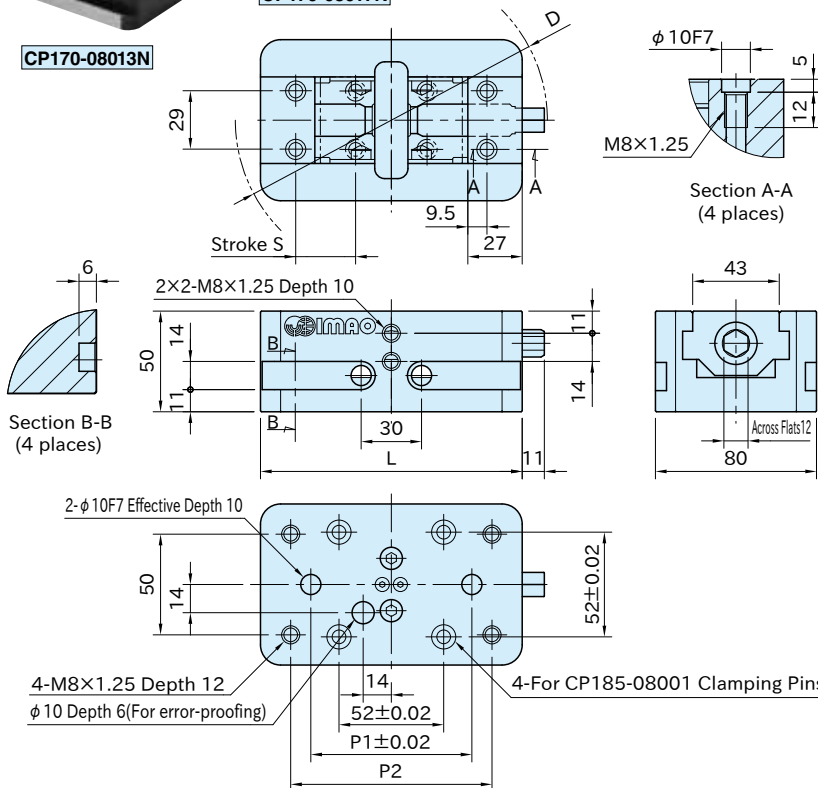
CENTERING CLAMPS



Body	Jaws Bases
SCM440 steel Induction hardened Black oxide finished Precision ground	SCM440 steel Black oxide finished

CP170-08013N

CP170-08017N



Part Number	D	L	P ₁	P ₂	S	Allowable Tightening Torque (Nm)	Weight (kg)
CP170-08013N	160	130	80	100	29.7	100	3.1
CP170-08017N	195	170	120	120	49.7		3.9

Part Number	Proper Jaws			
	Serrated Jaws		Dovetail Jaws	
	Part Number	Clamping Force (kN)	Part Number	Clamping Force (kN)
CP170-08013N	CP175-08001RS	20	CP175-08001D	20
CP170-08017N				

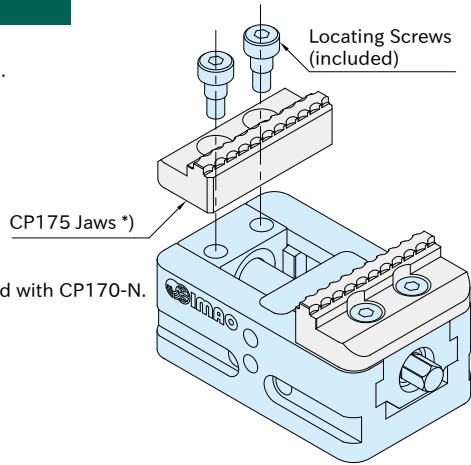
Feature

Manual compact self-centering vise.
Recommended machining allowance is 0.4mm or more per side of the workpiece.

How To Use

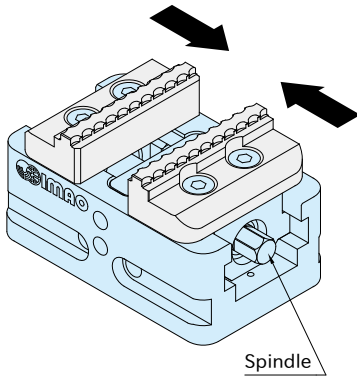
How to Mount Jaws

- Mount Jaws to the jaw bases of CP170-N.
- Use included locating screws to fix Jaws.



*) Jaws are not supplied with CP170-N.

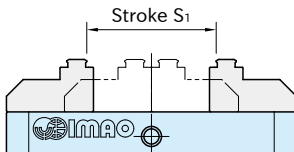
How to Operate



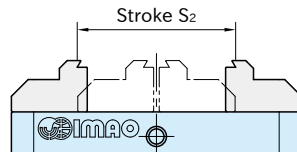
- Both jaws move inward to the center by turning the spindle clockwise.
- Both jaws move outward from the center by turning the spindle counterclockwise.

Stroke

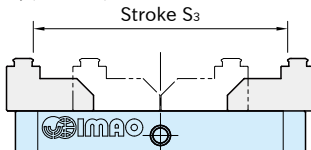
With CP175-08001RS Serrated Jaws



With CP175-08001D Dovetail Jaws



With Reversely (Inside-out) Mounted CP175-08001RS Serrated Jaws

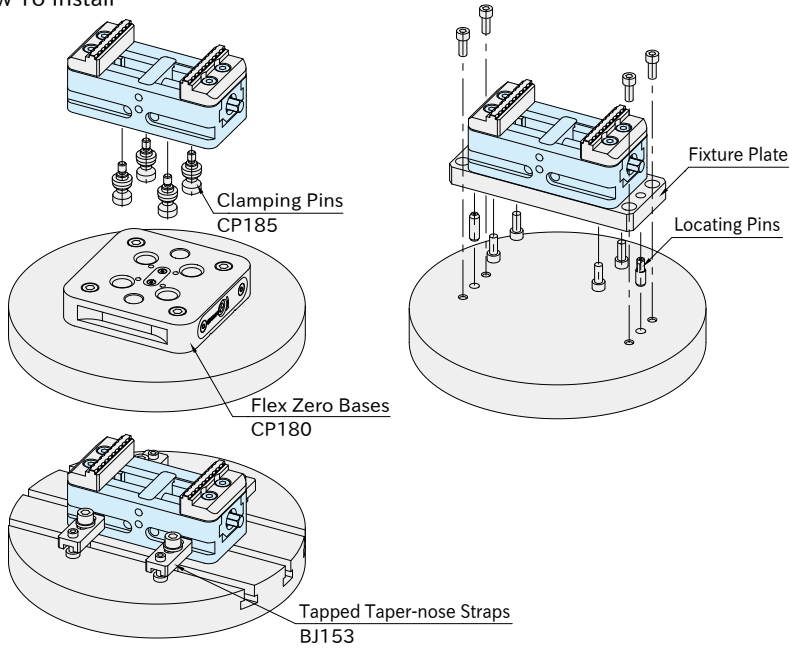


Part Number	S ₁	S ₂	S ₃
CP170-08013N	6 - 58	11.5 - 71	54.5 - 114
CP170-08017N	6 - 98	11.5 - 111	54.5 - 154

*) The maximum rotation diameter is the dimension D in the chart on previous page.

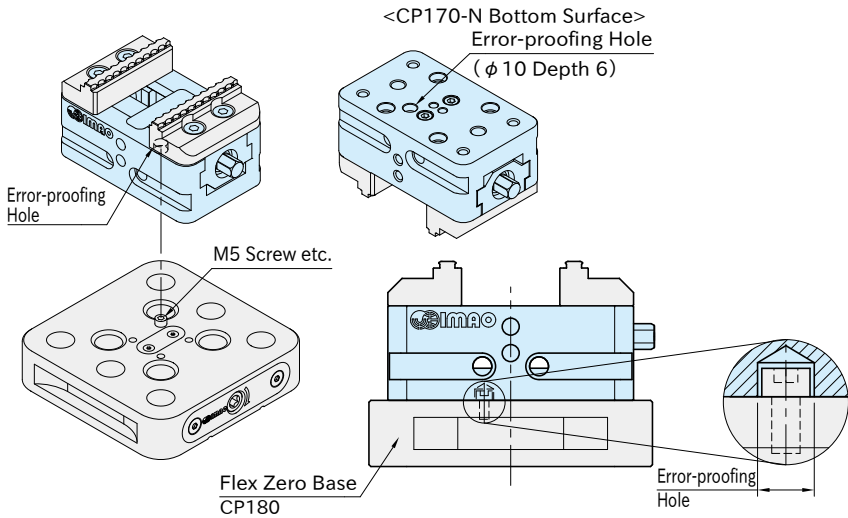
Continuing on Next Page

■ How To Install



■ Usage Example of Error-proofing Hole

Prepare a screw etc. on M5x0.8 Depth 12 hole on **CP180** Flex Zero Base to prevent mounting **CP170-N** Centering Clamp in wrong direction.



Supplied With

4 of Locating Screw for jaw mounting.

Related Product

- **CP175** JAWS
- **CP180** FLEX ZERO BASES
- **CP185** CLAMPING PINS