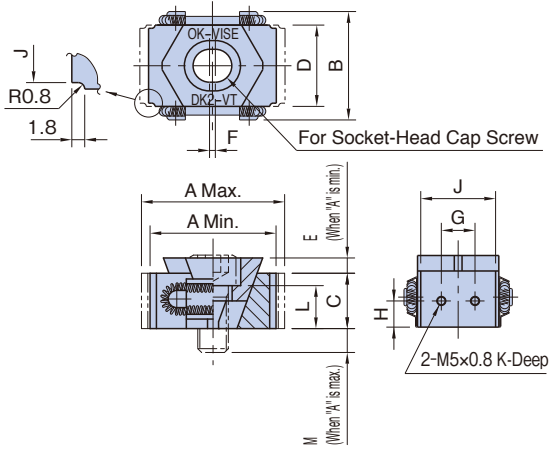


BK2 / DK2 / FK2 OK-VISE CLAMPS, SINGLE WEDGE / TAPPED JAWS



[Body]
 Material : SKD61 steel
 Heat treat : Quenched and tempered
 Hardness: Rc48-52

[Jaw]
 Material : SKD61 steel
 Heat treat : Quenched and tempered
 Finish : Black oxide
 Hardness: Rc48-52

[Spring]
 Material : SUS302 Stainless steel

[Retaining Plate]
 Material : SUS301 stainless steel

Part Number	A		B	C	D	E	F	G	H	J (⁰ / _{-0.05})	K	L	
	Min.	Max.										When "A" is max.	When "A" is min.
BK2-VT-T	33	37	29	15	21	2.5	1	12	7.5	-	4	4	10
DK2-VT-T	46	53	41	22	30	4	2	18	11	28	7	5	14
FK2-VT-T	61	70	56	29	42	5	3	26	14.5	40		8	19

Part Number	M		Socket-Head Cap Screw		Clamping Force (N)	Allowable Screw Torque (N·m)	Weight (g)
	T-Slot Mounting	Tapped-Hole Mounting	T-Slot Mounting	Tapped-Hole Mounting			
BK2-VT-T	16	16	M 8-20L	M 8-20L	13,000	20	70
DK2-VT-T	25	20	M12-30L	M12-25L	25,000	90	200
FK2-VT-T	32	27	M16-40L	M16-35L	54,000	200	480

Feature:

Application Example

Refer to the "Application Examples" page.



The tapped jaws accept attachments that match parts.