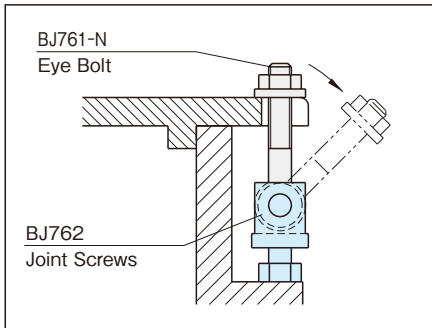


Body	Pin
Steel (SCM435) Quenched and tempered Black oxide finish	Steel (SK95) Black oxide finish

Part Number	A	B	C	D	E	F	G (+0.05)	H (h9)	J	K	Weight (g)
BJ762-05001	16	12	10	3	17	12	6	5	M 5×0.8	4(E-shape)	10
BJ762-06001	19	15	12	4	21	16	7	6	M 6×1	5(E-shape)	18
BJ762-08001	23	20	15	5	27	20	9	8	M 8×1.25	8(C-shape)	30
BJ762-10001	28	25	18	7	35	28	12	10	M10×1.5	10(C-shape)	55
BJ762-12001	34	30	21	7.5	37	30	14	12	M12×1.75	12(C-shape)	103
BJ762-16001	42	40	26	9	47	40	17	16	M16×2	16(C-shape)	210
BJ762-20001	52	50	32	11	57	50	22	20	M20×2.5	20(C-shape)	295

How To Use



Use with BJ761 Eye Bolts.

Note: BJ762-20001 can not be used with BJ761-200**N.