

# BJ211

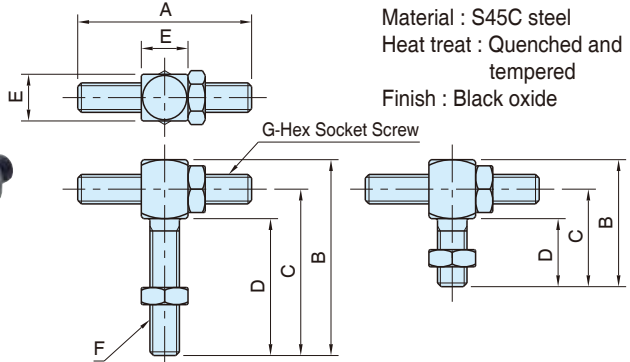
## ADJUSTABLE MINIATURE STOPS



Tall



Short



Material : S45C steel  
Heat treat : Quenched and tempered  
Finish : Black oxide

**BJ211-\*\*\*01** Tall

**BJ211-\*\*\*11** Short

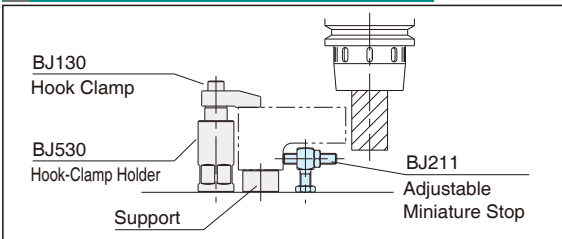
**BJ211-\*\*\*01** Tall

Part Number	A	B	C	D	E	F	G	Weight (g)
<b>BJ211-08001</b>	40	56	48	40	13	M 8x1.25	M 8x1.25	60
<b>BJ211-10001</b>	50	70	60	50	17	M10x1.5	M10x1.5	120
<b>BJ211-12001</b>	60	84	72	60	19	M12x1.75	M12x1.75	190
<b>BJ211-16001</b>	80	112	96	80	24	M16x2	M16x2	410

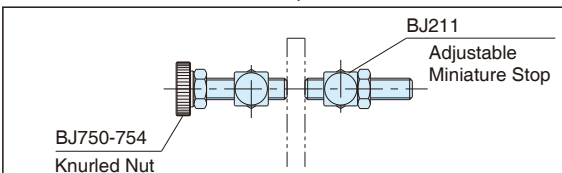
**BJ211-\*\*\*11** Short

Part Number	A	B	C	D	E	F	G	Weight (g)
<b>BJ211-08011</b>	40	36	28	20	13	M 8x1.25	M 8x1.25	45
<b>BJ211-10011</b>	50	45	35	25	17	M10x1.5	M10x1.5	90
<b>BJ211-12011</b>	60	54	42	30	19	M12x1.75	M12x1.75	140
<b>BJ211-16011</b>	80	72	56	40	24	M16x2	M16x2	310

### How To Use



Miniature size allows use in small space



Can be used as auxiliary clamps.

