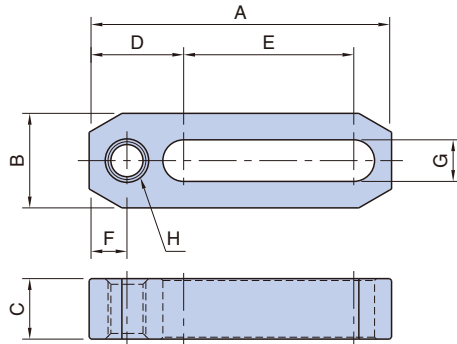


BJ158

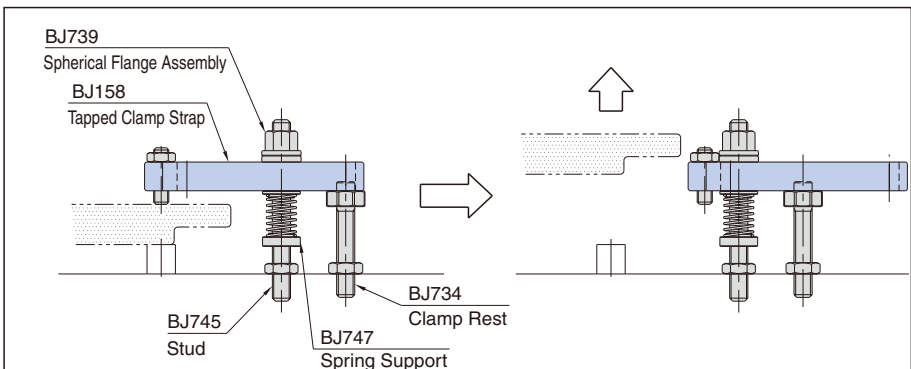
TAPPED CLAMP STRAPS



Body
Steel (S45C)
Quenched and tempered
Black oxide finish

Part Number	A	B	C	D	E	F	G	H	Clamping Force (N) At Max. - Min. End Projection	Allowable Screw Torque (N·m)	Weight (g)
BJ158-08063	63	19	12	19	36	7	9	M 8x1.25	3,200 - 8,000	17	65
BJ158-08080	80				53				3,500 - 8,600		80
BJ158-10080	80	25	16	25	45	10	11	M10x1.5	6,800 - 16,900	45	160
BJ158-10100	100				65				7,300 - 18,300		190
BJ158-10125	125				90				7,700 - 19,300		235
BJ158-12100	100	32	19	28	60	10	13	M12x1.75	10,200 - 25,600	80	300
BJ158-12125	125				85				11,000 - 27,500		370
BJ158-12160	160				120				11,600 - 29,000		470
BJ158-16125	125	38	25	36	73	12	17	M16x2	12,100 - 30,300	129	580
BJ158-16160	160				108				13,200 - 33,000		720
BJ158-16200	200				148				13,900 - 34,700		890
BJ158-20160	160				90				15,000~36,000		1,020
BJ158-20200	200	50	25	45	15	21	M20x2.5	16,000~37,000	183	1,600	
BJ158-20250	250		32	130				180		17,000~38,000	1,960

How To Use



Feature:

The long closed hole in the strap allows adjusting the clamping position flexibly