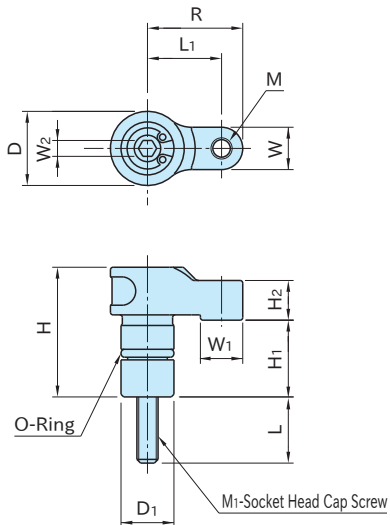


# BJ132

# HOOK CLAMPS



Body
SCM440 steel
Quenched and tempered
Black oxide

Part Number	W <sub>1</sub>	M	L <sub>1</sub>	R	D <sub>1</sub> ( <sup>-0.021</sup> / <sub>-0.10</sub> )	H <sub>1</sub>	M <sub>1</sub>	L	H	D	W	H <sub>2</sub>	W <sub>2</sub>
<b>BJ132-04018</b>	8	M4×0.7	14	18	10	14.5	M4×0.7-30L	12.5	24.5	14	8	7.5	3
<b>BJ132-06022</b>	10	M5×0.8	17	22	12	17.5	M6×1 -35L	13.5	30.5	16	10	9.5	5

Part Number	Clamping Force (kN)	Allowable Screw Torque (N·m)	Weight (g)
<b>BJ132-04018</b>	2	2.7	25
<b>BJ132-06022</b>	3.5	7	45

## Feature

- Compact design for applications in limited space
- **BJ530** Hook-Clamp Holders are available.
- Clamp that is designed to move up and down in conjunction with the tightening screw, for prevention of galling.

## How To Use

Instead of being used with Hook-Clamp Holders, these Hook Clamps can be plugged into a custom block with receiving holes as specified on the right.

