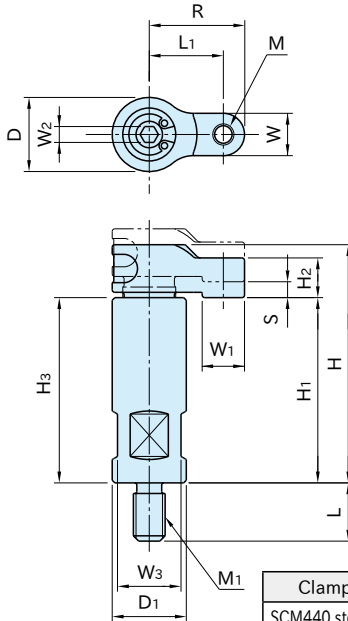


BJ132-A

HOOK-CLAMP ASSEMBLIES



Clamp Body	Holder
SCM440 steel Quenched and tempered Black oxide finished	S45C steel Quenched and tempered Black oxide finished

Part Number	H ₁	S (Clamping Stroke)	W ₁	M	L ₁	R	D ₁	H ₃	M ₁	L	H	D	W	H ₂	W ₂	W ₃
BJ132-04018A	35	3	8	M4×0.7	14	18	14	35	M6×1	11	45	14	8	7.5	3	12
BJ132-06022A	40	4	10	M5×0.8	17	22	16	40	M8×1.25	14	53	16	10	9.5	5	13

Part Number	Clamping Force (kN)	Allowable Screw Torque (N·m)	Weight (g)
BJ132-04018A	2	2.7	55
BJ132-06022A	3.5	7	90

Feature

The hook clamp is designed to move up and down in conjunction with the tightening screw, for prevention of galling in the hook-clamp holder.

How To Use

