

# BJ130-A

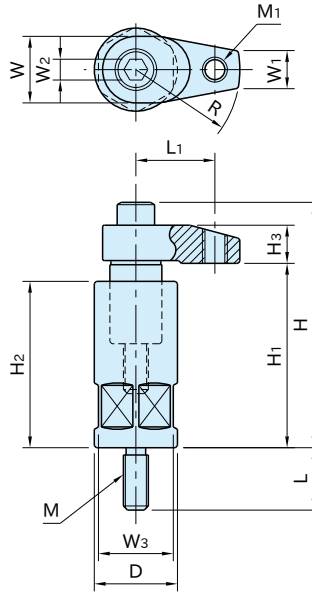
# HOOK-CLAMP ASSEMBLIES



M8 Size



M12 Size



Clamp Body
SCM435 steel Quenched and tempered Black oxide finish Precision ground
Holder
S45C steel Black oxide finish

Part Number	H <sub>1</sub>	M <sub>1</sub>	L <sub>1</sub>	R	D	H <sub>2</sub>	M	L	H
BJ130-08020A1	55~65	—	—	20	24	55	M 8x1.25	19	69~ 79
BJ130-08025A1				25					
BJ130-08030A1				30					
BJ130-10030A1	63~75	—	—	30	32	63	M12x1.75	30	87~ 99
BJ130-10030A2	80~92					80			104~116
BJ130-10040A1	63~75			63		87~ 99			
BJ130-10040A2	80~92			80		104~116			

Part Number	W	W <sub>1</sub>	H <sub>3</sub>	W <sub>2</sub>	W <sub>3</sub>	Clamping Force(kN)	Allowable Screw Torque(N·m)	Weight (kg)
BJ130-08020A1	22	10	12	6	22	12	30	0.23
BJ130-08025A1						11		0.24
BJ130-08030A1						10		0.25
BJ130-10030A1	25	12	15	8	30	13	38	0.60
BJ130-10030A2						10		0.70
BJ130-10040A1						10	32	0.61
BJ130-10040A2						10		0.71

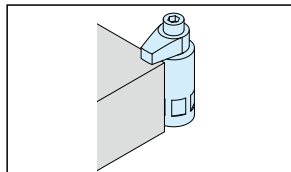
## Related Product

Use [BJ600](#) Cylindrical Risers for additional height.

## Note

Please put grease on sliding surface to prevent galling when using in dry condition.

## How To Use



Part Number	H <sub>1</sub>	M <sub>1</sub>	L <sub>1</sub>	R	D	H <sub>2</sub>	M	L	H		
BJ130-12040A1	80~95	—	—	40	40	80	M12x1.75	30	107~122		
BJ130-12040A2	100~115					100			127~142		
BJ130-12050A1	80~95					80			109~124		
BJ130-12050A2	100~115									100	129~144
BJ130-12060A1	80~95					80			109~124		
BJ130-12060A2	100~115									100	129~144
BJ130-12140A1	80~95			M12x1.75		31			40	80	107~122
BJ130-12140A2	100~115									100	127~142
BJ130-12150A1	80~95									80	109~124
BJ130-12150A2	100~115										
BJ130-12160A1	80~95									80	109~124
BJ130-12160A2	100~115										
BJ130-16040A1	80~95	—	—	40	50	80	M16x2	30	116~131		
BJ130-16040A2	100~115					100			136~151		
BJ130-16050A1	80~95					80			116~131		
BJ130-16050A2	100~115									100	136~151
BJ130-16060A1	80~95					80			116~131		
BJ130-16060A2	100~115									100	136~151
BJ130-16150A1	80~95			M12x1.75		38			50	80	116~131
BJ130-16150A2	100~115									100	136~151
BJ130-16160A1	80~95									80	116~131
BJ130-16160A2	100~115										

Part Number	W	W <sub>1</sub>	H <sub>3</sub>	W <sub>2</sub>	W <sub>3</sub>	Clamping Force (kN)	Allowable Screw Torque (N·m)	Weight (kg)
BJ130-12040A1	32	18	16	10	36	15	50	1.36
BJ130-12040A2						1.56		
BJ130-12050A1						14		1.39
BJ130-12050A2								1.59
BJ130-12060A1						12		1.43
BJ130-12060A2								1.63
BJ130-12140A1			50			16	1.36	
BJ130-12140A2							1.56	
BJ130-12150A1						14	1.39	
BJ130-12150A2							1.59	
BJ130-12160A1						12	1.43	
BJ130-12160A2							1.63	
BJ130-16040A1	36	22	21	14	46	18	80	2.11
BJ130-16040A2						2.42		
BJ130-16050A1						16.5		2.16
BJ130-16050A2								2.47
BJ130-16060A1						16		2.22
BJ130-16060A2								2.53
BJ130-16150A1						16.5		2.16
BJ130-16150A2								2.47
BJ130-16160A1						16		2.22
BJ130-16160A2								2.53