

# BJ102-T

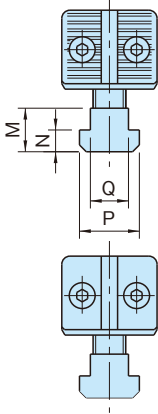
## ADJUSTABLE SIDE CLAMPS with T-Slot Nut



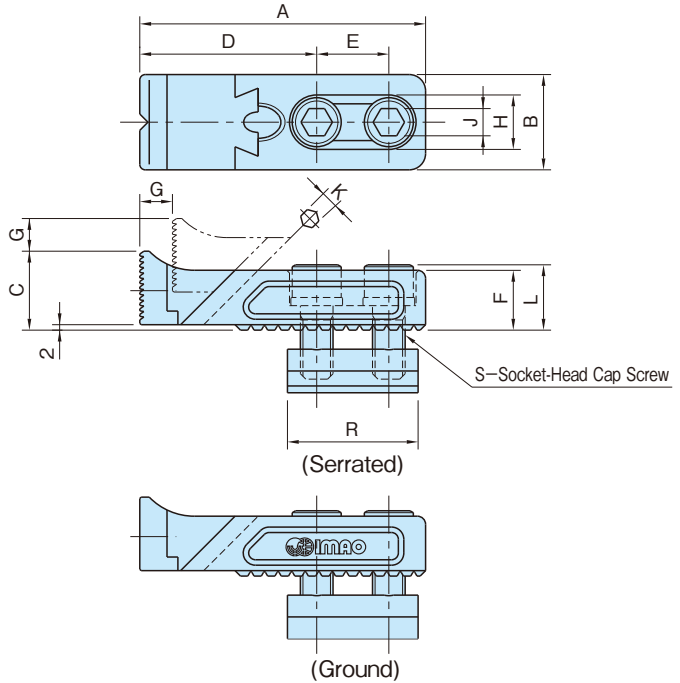
(Serrated)



(Ground)



| Body/Jaw Carrier   | Jaw   | T-Slot Nut                        | Socket-Head Cap Screw               |
|--|---|-----------------------------------|-------------------------------------|
| Steel(SCM440)<br>Quenched and tempered<br>Black oxide finish | Steel(SCM440)<br>Quenched and tempered<br>Black oxide finish<br>Precision ground(ground style only) | Steel(S45C)<br>Black oxide finish | Steel(SCM435)<br>Black oxide finish |



| Type     | Part Number  | A   | B  | C  | D    | E    | F  | G  | H  | J  | K | L  | M  |
|----------|--------------|-----|----|----|------|------|----|----|----|----|---|----|----|
| Serrated | BJ102-12022T | 105 | 35 | 29 | 65   | 26.5 | 22 | 12 | 20 | 10 | 6 | 24 | 16 |
|          | BJ102-16030T | 137 | 40 | 38 | 89.5 | 30   | 30 | 14 | 26 | 14 | 8 | 33 | 20 |
| Ground   | BJ102-12122T | 105 | 35 | 29 | 65   | 26.5 | 22 | 12 | 20 | 10 | 6 | 24 | 16 |
|          | BJ102-16130T | 137 | 40 | 38 | 89.5 | 30   | 30 | 14 | 26 | 14 | 8 | 33 | 20 |

| Type     | Part Number  | N  | P  | Q  | R  | S            | Clamping Force (N) | Allowable Screw Torque (N·m) | Weight (g) |
|----------|--------------|----|----|----|----|--------------|--------------------|------------------------------|------------|
| Serrated | BJ102-12022T | 8  | 22 | 14 | 48 | M12×1.75-35L | 7,400              | 19                           | 610        |
|          | BJ102-16030T | 10 | 28 | 18 | 55 | M16×2 -45L   | 11,700             | 32                           | 1,310      |
| Ground   | BJ102-12122T | 8  | 22 | 14 | 48 | M12×1.75-35L | 7,400              | 19                           | 620        |
|          | BJ102-16130T | 10 | 28 | 18 | 55 | M16×2 -45L   | 11,700             | 32                           | 1,320      |

[Related Product Page](#)