

AST80-SUS

SPRING TIGHTENERS

RHS SUS

IMAO



AST80-SUS

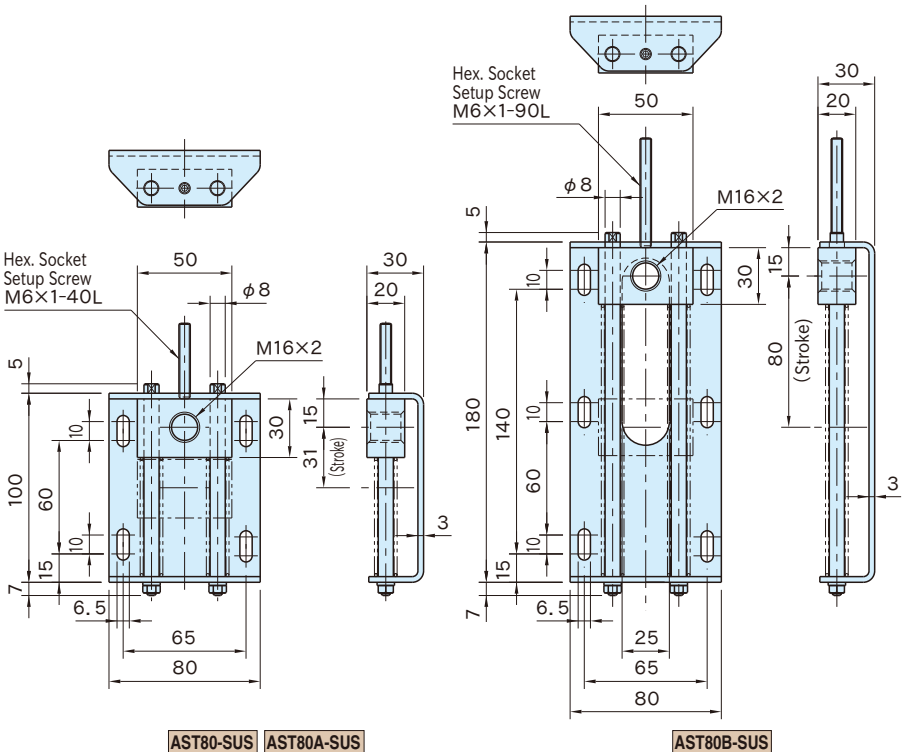


AST80A-SUS



AST80B-SUS

Part Number	Base	Idler-Pin Holder	Guide Shaft	Spring
AST80-SUS	Stainless steel (SUS304)	Ultra high molecular weight (UHMWPE), Black	Stainless steel (SUS304)	Stainless steel (SUS304WPB)
AST80A-SUS		Stainless steel (SUS304)		
AST80B-SUS		Stainless steel (SUS304)		



Part Number	Max. Tension (N)	Initial Tension (N)	Weight (g)
AST80 -SUS	215	35	370
AST80A-SUS			530
AST80B-SUS		36	750

Features

- The spring allows automatically adjusting chain or belt slack amount in operation.
- Provides high tension.
- Can be installed in both horizontal and vertical positions.
- Allows easy tensioning.

Notes

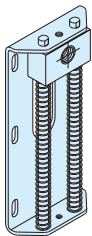
- Repeated or long-term use causes some reduction of spring tensioning capacity.
- Smooth sliding action of the idler-pin holder can be affected by using a special idler pin which makes the load-operating point farther away from the Spring Tightener than Imao's **PID****-M16-SUS** idler pins, or by getting the guide shaft dented with shock or the like.

Technical Information on Spring Used

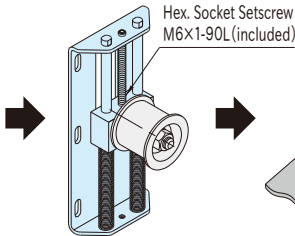
Part Number	Free Length	O.D.	I.D.	Spring Constant (N/mm)
AST80 -SUS	70	12	8.8	2.9
AST80A-SUS				
AST80B-SUS	160	12.6	9.4	1.12

Application Example

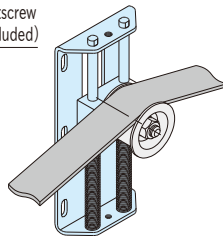
How To Set



Mount an Idler Pin and an Idler Pulley (or Sprocket) on a Spring Tightener, and then tighten the setscrew.



Hex. Socket Setscrew
M6X1-90L (included)



Place a belt (or chain) on the Idle Pulley (or Sprocket), and then remove the setup screw (the spring works to exert a tension).

Application Examples

