

LVA70,LVE70

エンプラ レベリングパッド

標準
在庫品

RHS

SUS

導電性仕様

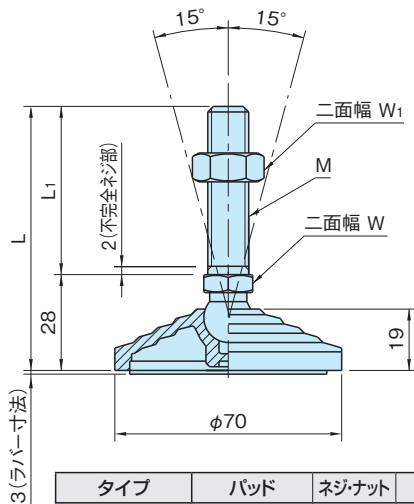
材質の特性
P.2231

Original ELESA Model LV.A-70

elesta



LVE
(導電性仕様)



3 (ラバー寸法)

| タイプ | パッド | ネジ・ナット | ラバー |
|-------------|--------------------------------|-----------------|--------------|
| LVA70S | | SUM22L 垂鉛メッキ | — |
| LVE70S | | | ニトリルゴム (NBR) |
| LVAR70S | ポリアミド (ガラス繊維強化) つや消しブラック | SUS304 | — |
| LVER70S | | | ニトリルゴム (NBR) |
| LVA70S-SUS | | SUS304 | — |
| LVE70S-SUS | | | ニトリルゴム (NBR) |
| LVAR70S-SUS | | SUS304 | — |
| LVER70S-SUS | | | ニトリルゴム (NBR) |

★One Point

導電性仕様をご用意
SUS製は防錆に優れたSUS304を使用

| サイズ | M | L | L ₁ | W | W ₁ | 許容荷重 (静荷重) (kN) |
|-------------|----------|-----|----------------|----|----------------|--------------------|
| LVA70S | M 8×1.25 | 71 | 43 | 14 | 13 | 14 |
| | | | 68 | | | |
| LVE70S | M10×1.5 | 71 | 43 | | | |
| | | | 68 | | | |
| LVAR70S | M12×1.75 | 71 | 43 | | 19 | |
| LVER70S | | | 68 | | | |
| LVA70S-SUS | M16×2 | 96 | 68 | 16 | | 24 |
| LVE70S-SUS | | | 68 | | | |
| LVAR70S-SUS | M16×2 | 136 | 108 | | 24 | |
| LVER70S-SUS | | | 148 | | | |
| LVA70S-SUS | M16×2 | 176 | 148 | | | 24 |
| LVE70S-SUS | | | 168 | | | |
| LVAR70S-SUS | M16×2 | 196 | 168 | 24 | | |
| LVER70S-SUS | | | 168 | | | |

LVA70S LVAR70S LVA70S-SUS LVAR70S-SUS

| スチール製 | | | | | | SUS製 | | | | | |
|-----------|-------|-------|------------|-------|-------|---------------|-------|-------|----------------|-------|-------|
| ラバーなし | | | ラバー付 | | | ラバーなし | | | ラバー付 | | |
| 品番 | 質量(g) | 価格 | 品番 | 質量(g) | 価格 | 品番 | 質量(g) | 価格 | 品番 | 質量(g) | 価格 |
| LVA70S 8A | 60 | 1,200 | LVAR70S 8A | 80 | 1,760 | LVA70S 8A-SUS | 61 | 2,700 | LVAR70S 8A-SUS | 81 | 3,300 |
| LVA70S 8B | 72 | 1,300 | LVAR70S 8B | 92 | 1,760 | LVA70S 8B-SUS | 73 | 2,800 | LVAR70S 8B-SUS | 93 | 3,500 |
| LVA70S10A | 69 | 1,220 | LVAR70S10A | 89 | 1,760 | LVA70S10A-SUS | 70 | 2,800 | LVAR70S10A-SUS | 90 | 3,300 |
| LVA70S10B | 81 | 1,320 | LVAR70S10B | 101 | 1,760 | LVA70S10B-SUS | 84 | 3,000 | LVAR70S10B-SUS | 103 | 3,500 |
| LVA70S10C | 95 | 1,500 | LVAR70S10C | 115 | 2,100 | LVA70S10C-SUS | 97 | 3,800 | LVAR70S10C-SUS | 117 | 4,100 |
| LVA70S12A | 79 | 1,230 | LVAR70S12A | 99 | 1,760 | LVA70S12A-SUS | 80 | 2,700 | LVAR70S12A-SUS | 100 | 3,300 |
| LVA70S12B | 96 | 1,340 | LVAR70S12B | 116 | 1,760 | LVA70S12B-SUS | 98 | 3,000 | LVAR70S12B-SUS | 118 | 3,500 |
| LVA70S12C | 117 | 1,530 | LVAR70S12C | 137 | 2,100 | LVA70S12C-SUS | 120 | 3,500 | LVAR70S12C-SUS | 140 | 4,100 |
| LVA70S16A | 140 | 1,520 | LVAR70S16A | 160 | 2,100 | LVA70S16A-SUS | 143 | 3,900 | LVAR70S16A-SUS | 163 | 4,200 |
| LVA70S16B | 192 | 1,760 | LVAR70S16B | 212 | 2,300 | LVA70S16B-SUS | 197 | 4,200 | LVAR70S16B-SUS | 217 | 4,500 |
| LVA70S16C | 244 | 2,100 | LVAR70S16C | 264 | 2,700 | LVA70S16C-SUS | 250 | 4,500 | LVAR70S16C-SUS | 270 | 4,800 |
| LVA70S16D | 270 | 2,300 | LVAR70S16D | 290 | 2,700 | LVA70S16D-SUS | 277 | 4,700 | LVAR70S16D-SUS | 297 | 5,200 |

LVE70S LVER70S LVE70S-SUS LVER70S-SUS (導電性仕様)

| スチール製(導電性仕様) | | | | | | SUS製(導電性仕様) | | | | | |
|--------------|-------|-------|------------|-------|-------|---------------|-------|-------|----------------|-------|-------|
| ラバーなし | | | ラバー付 | | | ラバーなし | | | ラバー付 | | |
| 品番 | 質量(g) | 価格 | 品番 | 質量(g) | 価格 | 品番 | 質量(g) | 価格 | 品番 | 質量(g) | 価格 |
| LVE70S 8A | 60 | 1,900 | LVER70S 8A | 80 | 2,400 | LVE70S 8A-SUS | 61 | 3,800 | LVER70S 8A-SUS | 81 | 4,100 |
| LVE70S 8B | 72 | 2,100 | LVER70S 8B | 92 | 2,700 | LVE70S 8B-SUS | 73 | 3,900 | LVER70S 8B-SUS | 93 | 4,200 |
| LVE70S10A | 69 | 1,900 | LVER70S10A | 89 | 2,400 | LVE70S10A-SUS | 70 | 3,800 | LVER70S10A-SUS | 90 | 4,100 |
| LVE70S10B | 81 | 2,100 | LVER70S10B | 101 | 2,700 | LVE70S10B-SUS | 84 | 3,900 | LVER70S10B-SUS | 103 | 4,200 |
| LVE70S10C | 95 | 2,300 | LVER70S10C | 115 | 2,800 | LVE70S10C-SUS | 97 | 4,200 | LVER70S10C-SUS | 117 | 4,600 |
| LVE70S12A | 79 | 1,900 | LVER70S12A | 99 | 2,400 | LVE70S12A-SUS | 80 | 3,500 | LVER70S12A-SUS | 100 | 4,000 |
| LVE70S12B | 96 | 2,100 | LVER70S12B | 116 | 2,700 | LVE70S12B-SUS | 98 | 3,900 | LVER70S12B-SUS | 118 | 4,200 |
| LVE70S12C | 117 | 2,400 | LVER70S12C | 137 | 3,000 | LVE70S12C-SUS | 120 | 4,200 | LVER70S12C-SUS | 140 | 4,600 |
| LVE70S16A | 140 | 2,300 | LVER70S16A | 160 | 2,800 | LVE70S16A-SUS | 143 | 4,500 | LVER70S16A-SUS | 163 | 4,800 |
| LVE70S16B | 192 | 2,700 | LVER70S16B | 212 | 3,300 | LVE70S16B-SUS | 197 | 4,700 | LVER70S16B-SUS | 217 | 5,300 |
| LVE70S16C | 244 | 2,800 | LVER70S16C | 264 | 3,500 | LVE70S16C-SUS | 250 | 5,300 | LVER70S16C-SUS | 270 | 5,800 |
| LVE70S16D | 270 | 3,000 | LVER70S16D | 290 | 3,800 | LVE70S16D-SUS | 277 | 5,600 | LVER70S16D-SUS | 297 | 6,200 |

特長

ステンレススチール製品は、硫化物の含有量が低いため医療機器、食品関係の装置、薬産業等の衛生面及び気候上で腐食の心配がある場所での使用に適しています。

技術データ

使用温度 max.100℃ min.-30℃

■導電性仕様の熱的及び電気的特性

| タイプ | | 体積固有抵抗 | 表面抵抗 |
|------------|-------------|----------------------|-------------------|
| LVE70S | LVER70S | 10 ³ Ω·cm | 10 ³ Ω |
| LVE70S-SUS | LVER70S-SUS | | |

静電気放電(ESD:electro-static discharge)のマークが製品の上面に付してあります。